

MICOS

MOTION CONTROL & OPTICS **USA**

[Terms](#) | [Sitemap](#) | [About us](#) | [Contact](#) | [Catalog](#) | [Shows](#) | [News](#) | [Offices](#) | [Partners](#) | [Press Center](#) | [Support](#) | [Team](#) | [Home](#)

MICOS USA • 15375 BARRANCA PARKWAY • STE G101 • IRVINE • CA 92618 • PHONE 949 480 0538 • FAX 949 480 0538

Page

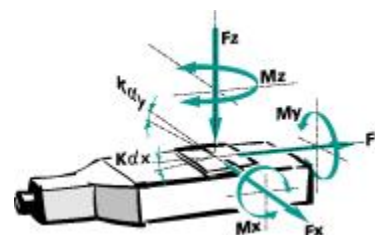
◀ 6.001 ▶ **Linear Stage APT-38**

Manual Positioners



Key features

- Travel range 5 mm
- Clear aperture 15 mm
- Fine pitch 0.25 mm
- Load capacity 5 kg
- Dove tail slide
- Module combination



FACTS

Load Characteristics	Fx (N)	Fy (N)	Fz (N)	Mx (Nm)	My (Nm)	Mz (Nm)
LD-010	30	10	50	3	3	3

DESCRIPTION

The Positioning Stages series **APT-38** are units which are especially designed for small translation and for space-limited setups. By a spring prestressed, fine thread screw this positioning stages are precisely adjustable. A dovetail slide integrated into case and slider functions as guiding mechanism.

The APT-38 series have a central aperture at a drilling diameter 15 mm. The Positioning Stages APT-38 are easily configured to XYZ assemblies. As required the individual components can be assembled or disassembled.

Technical data

Travel Range (mm)	5
Accuracy per 25 mm (μm)	+/- 10
Straightness / Flatness (μm)	+/- 5
Pitch (mrad)	1
Yaw (mrad)	1
Leadscrew Pitch (mm)	0.25

Sensitivity (μm)

Lead screw	+/- 2.5
------------	---------

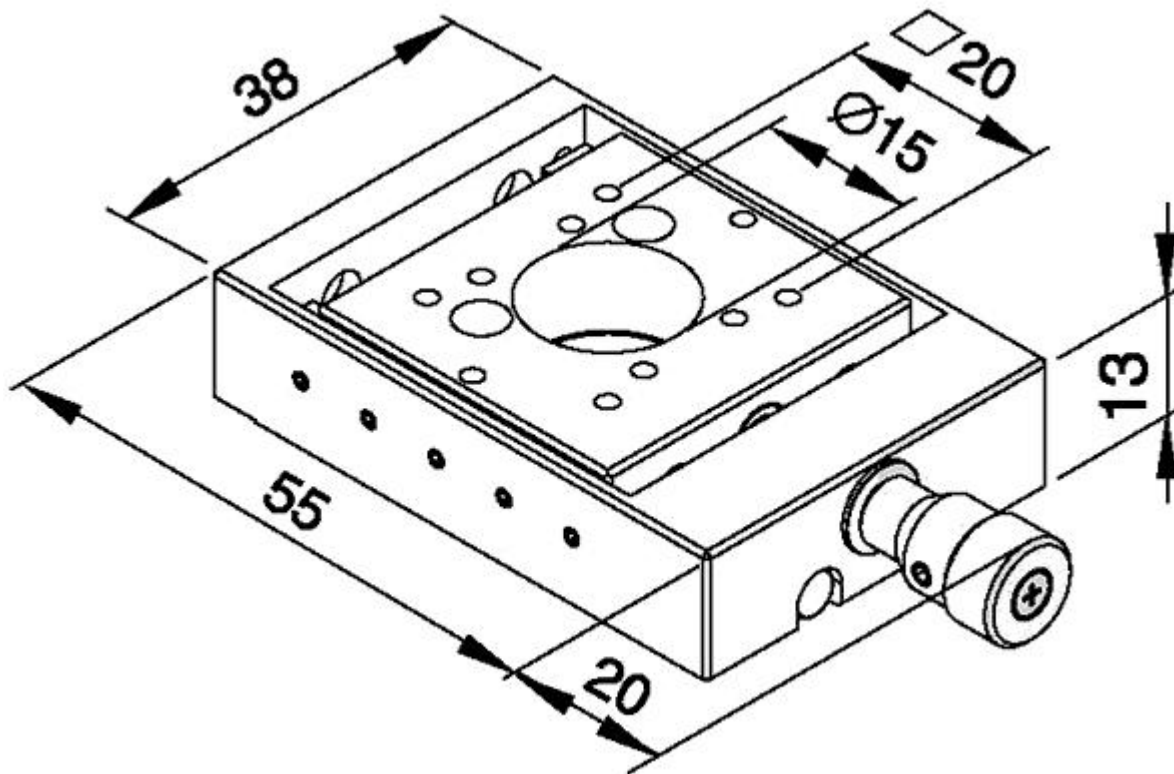
Material

Special Alu, black anodized

Weight (kg)


0.15

PKT-38 Base & Knobs



Travel range
5 mm

Linear Stage	Order-No.
APT-38	3211-9-100

Founded in 1990, MICOS specializes in the development, manufacturing and marketing of ultra-high precision positioning components and systems for research and industry. We are experts in vacuum, ultra-high vacuum, clean room, and extreme climate environments down to 77 Kelvin. 

[Terms](#) | [Sitemap](#) | [About us](#) | [Contact](#) | [Catalog](#) | [Shows](#) | [News](#) | [Offices](#) | [Partners](#) | [Press Center](#) | [Support](#) | [Team](#) | [Home](#)
[MOTION CONTROL](#) = [Systems](#) | [Positioners](#) | [MiniPositioners](#) | [DirectDrives](#) | [Controllers](#) | [ManPositioners](#) | [Accessories](#) | [Vacuum](#)
[MAC PhotonX](#) = [Moskito](#) | [Albatros](#) | [Campus](#)